



**TECHNICAL DOCUMENT B 1  
OF THE  
SPANISH BRAILLE COMMISSION**

***DIMENSIONAL PARAMETERS IN BRAILLE***

Updated on 23 December 2013  
**(Version 1)**



First edition in English, March 2015

© Comisión Braille Española, Organización Nacional de Ciegos Españoles (ONCE).  
Dirección General. Dirección de Educación, Empleo y Promoción Cultural

Departamento de Promoción Cultural y Braille  
Calle del Prado, 24. 28014 Madrid, Spain

Edited by: Departamento de Promoción Cultural y Braille. ONCE. Dirección General

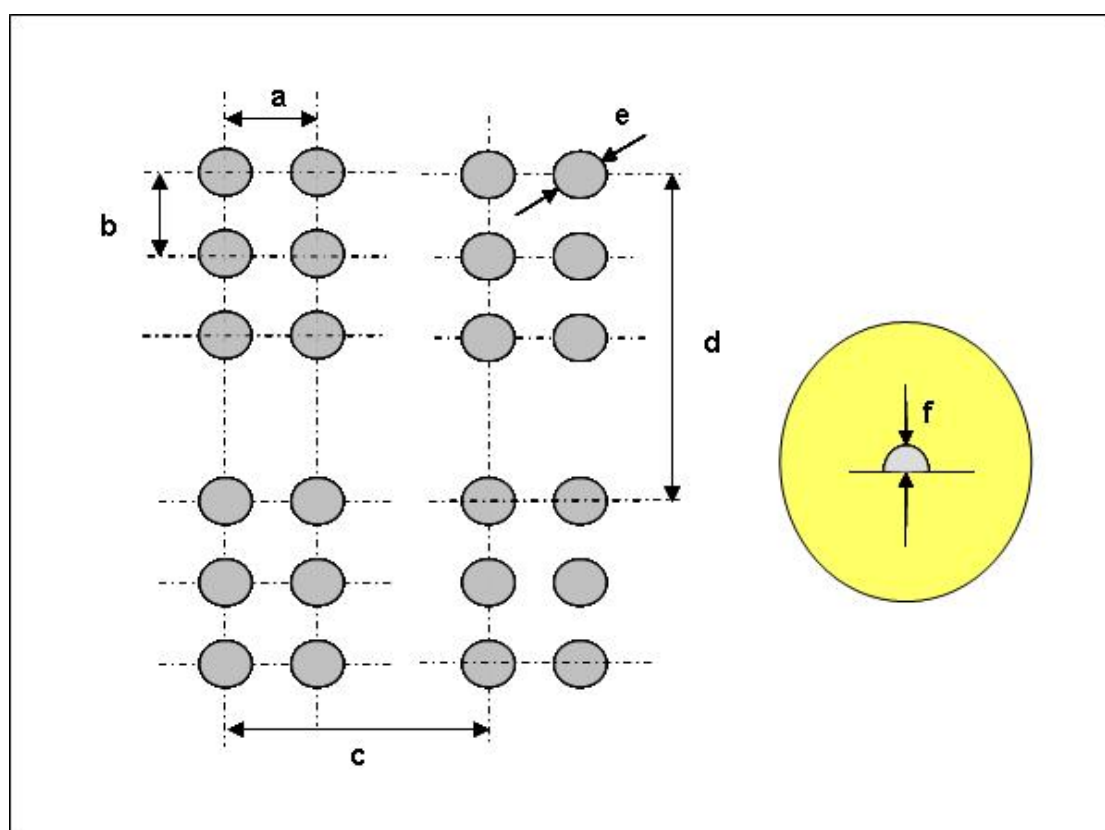
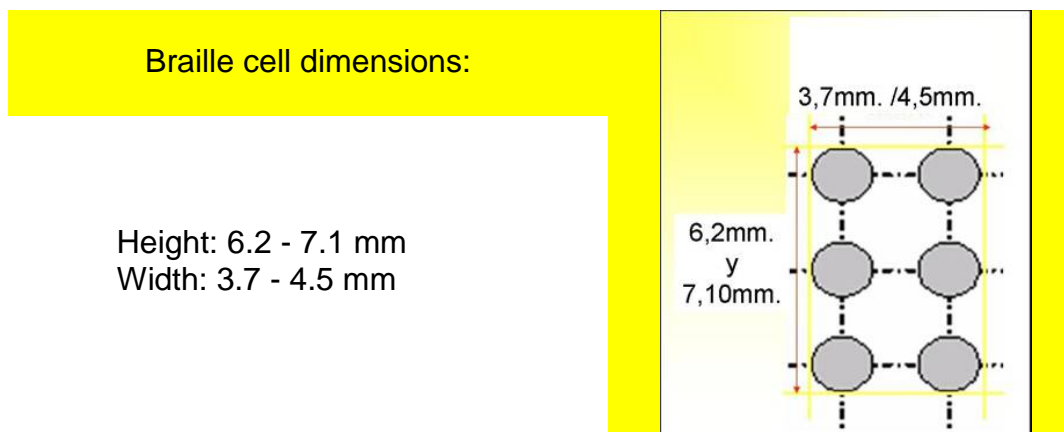
*Neither the text nor the illustrations in this document may be altered without the authors' prior written consent.*

# Dimensional parameters in Braille

## Rules for correctly differentiating characters

The characters constituting Braille signs must conform to certain dimensions to ensure that they can be correctly read by touch.

Distance from dot to dot, centres.



a = horizontal distance between adjacent dots, centres, in the same cell: 2.4 - 2.75 mm.

b = vertical distance between adjacent dots, centres, in the same cell: 2.4 - 2.75 mm.

c = distance between dots in the same relative position, centres, in adjacent cells: 6 - 6.91 mm.

d = distance between dots in the same relative position, centres, in adjacent lines: 10 - 11.26 mm.

e = dot diameter at the base: 1.2 to 1.9 mm.

f = recommended dot height: 0.5 to 0.2 mm.

## Recommended proportionality (in mm)

Inter-parameter proportionality is tabled below (in mm).

e	a	b	c	d
1.2	2.4	2.4	6	10
1.3	2.45	2.45	6.13	10.18
1.4	2.5	2.5	6.26	10.36
1.5	2.55	2.55	6.39	10.54
1.6	2.6	2.6	6.52	10.72
1.7	2.65	2.65	6.65	10.9
1.8	2.7	2.7	6.78	11.08
1.9	2.75	2.75	6.91	11.26

Characters sized in proportion to a diameter of 1.7 to 1.9 mm should not be used for printing on hard copy.

The blank space between words is the same size as any given character.

When printing Braille on hard copy, the paper used should weigh approximately 140 grams per square metre and no less than 120 grams per square metre.